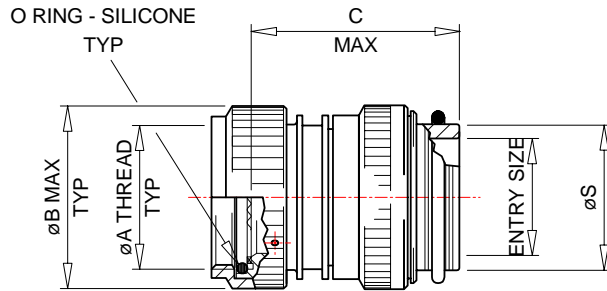
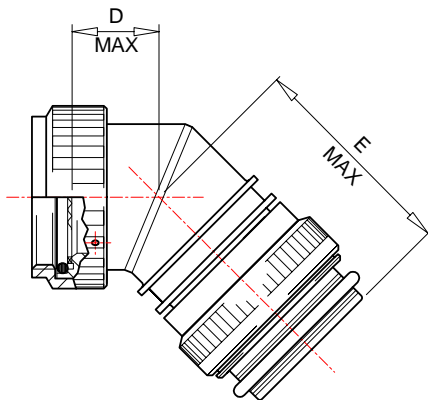
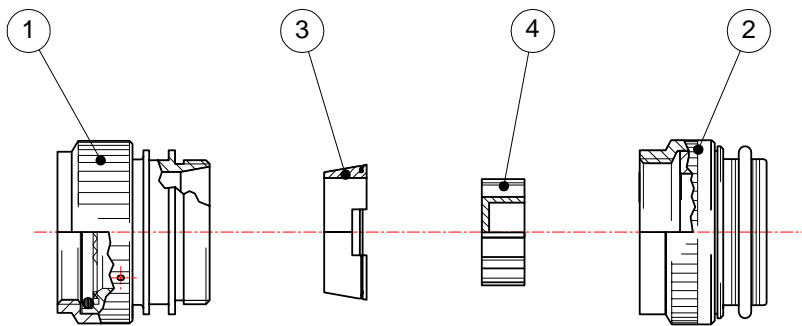


CUSTOMER DRAWING

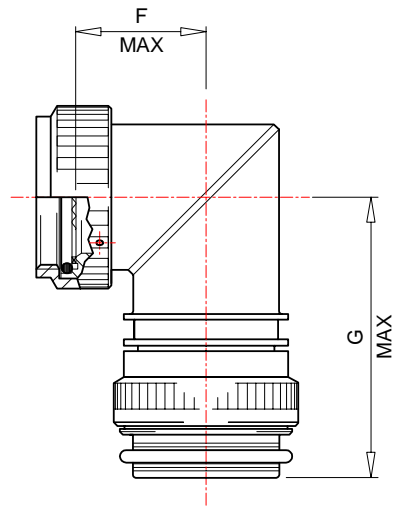
REV: A1	ECO # 09-012043	DATE: 18 MAY 09
-------------------	--------------------	--------------------



STRAIGHT ADAPTOR
-00



45° ADAPTOR
-45



90° ADAPTOR
-90

© 2009 Tyco Electronics Corporation. All rights reserved

	Product Brand: Raychem Adapters 305 Constitution Drive Menlo Park, CA 94025, USA	TITLE: HEXASHIELD ADAPTOR FOR CODE 40 CONNECTORS TINEL CLAMPING NUT					
	Tyco Electronics reserves the right to amend this drawing at any time. Users should evaluate the suitability of the product for their application.	DOCUMENT NO. HEX40-KC-YY-YY-AYY-2-YY					
UNLESS OTHERWISE SPECIFIED DIMENSIONS ARE IN MILLIMETERS. INCH DIMENSIONS ARE SHOWN IN BRACKETS.	DRAWN: A. BUI	DATE: 13 MAY 09	APPROVED: M. PIOZET	DATE: 13 MAY 09	CODE IDENT. NO: 06090	SCALE: NONE	SHEET: 1 OF 4

CUSTOMER DRAWING

REV: A1	ECO # 09-012043	DATE: 18 MAY 09
-------------------	--------------------	--------------------

KIT DESCRIPTION

ITEM	DESCRIPTION	MATERIAL
1	BODY ASSEMBLY	STAINLESS STEEL
2	TINEL CLAMPING ADAPTOR ASSEMBLY	STAINLESS STEEL
	TINEL-LOCK™ RING	TINEL-X™
3	CONIC RING	STAINLESS STEEL
4	STAR	STAINLESS STEEL


TABLE OF DIMENSIONS

Order Number	Shell Size		Tinel Entry Size	ØA Thread Class 6H	ØB Max	ØC Max	D Max	E Max	F Max	G Max	Ferrule Quantity	
	Mil.	Com.									Std.	Opt.
09	A	09	05	M12 x 1	19.0 [0.75"]	38.5 [1.52"]	12.5 [0.49"]	38.5 [1.52"]	16.0 [0.63"]	42.0 [1.65"]	1	-
11	B	11	08	M15 x 1	22.0 [0.87"]	38.5 [1.52"]	13.0 [0.51"]	39.0 [1.54"]	17.5 [0.69"]	43.5 [1.71"]	2	-
13	C	13	10	M18 x 1	25.5 [1.00"]	38.5 [1.52"]	14.0 [0.55"]	39.5 [1.56"]	19.0 [0.75"]	45.0 [1.77"]	3	-
15	D	15	12	M22 x 1	30.5 [1.20"]	38.5 [1.52"]	14.5 [0.57"]	40.5 [1.60"]	20.5 [0.81"]	46.5 [1.83"]	5	-
17	E	17	14	M25 x 1	33.5 [1.32"]	38.5 [1.52"]	15.0 [0.59"]	41.0 [1.61"]	22.0 [0.87"]	48.0 [1.89"]	6	7
19	F	19	16	M28 x 1	37.0 [1.46"]	38.5 [1.52"]	15.5 [0.61"]	41.5 [1.63"]	23.5 [0.93"]	49.5 [1.95"]	7	8
21	G	21	18	M31 x 1	38.5 [1.52"]	38.5 [1.52"]	16.5 [0.65"]	42.5 [1.67"]	25.5 [1.00"]	51.5 [2.03"]	9	11
23	H	23	20	M34 x 1	42.0 [1.65"]	38.5 [1.52"]	17.0 [0.67"]	43.0 [1.69"]	27.0 [1.06"]	53.0 [2.09"]	10	13
25	J	25	20	M37 x 1	46.5 [1.83"]	46.0 [1.81"]	18.0 [0.71"]	51.5 [2.03"]	28.5 [1.12"]	62.0 [2.44"]	12	18

Tinel Entry Size	ØS
05	10.97/11.13 [0.432"/0.438"]
08	15.72/15.91 [0.619"/0.626"]
10	18.84/19.11 [0.742"/0.752"]
12	22.02/22.28 [0.867"/0.877"]

Tinel Entry Size	ØS
14	25.17/25.46 [0.991"/1.002"]
16	28.34/28.63 [1.116"/1.127"]
18	31.52/31.81 [1.241"/1.252"]
20	34.69/34.98 [1.366"/1.377"]

© 2009 Tyco Electronics Corporation. All rights reserved

	Product Brand: Raychem Adapters 305 Constitution Drive Menlo Park, CA 94025, USA	TITLE: HEXASHIELD ADAPTOR FOR CODE 40 CONNECTORS TINEL CLAMPING NUT
UNLESS OTHERWISE SPECIFIED DIMENSIONS ARE IN MILLIMETERS. INCH DIMENSIONS ARE SHOWN IN BRACKETS.	Tyco Electronics reserves the right to amend this drawing at any time. Users should evaluate the suitability of the product for their application.	DOCUMENT NO. HEX40-KC-YY-YY-AYY-2-YY
DRAWN: A. BUI	DATE: 13 MAY 09	APPROVED: M. PIOZET
DATE: 13 MAY 09	DATE: 13 MAY 09	CODE IDENT. NO: 06090 SCALE: NONE SHEET: 2 OF 4

If this document is printed it becomes uncontrolled. Check for the latest revision

CUSTOMER DRAWING

REV: A1	ECO # 09-012043	DATE: 18 MAY 09
-------------------	--------------------	--------------------

PART NUMBERING

HEX40-KC-00-21-A9-2-DS

CONNECTOR CODE NUMBER: _____
 HEX 40 = MIL-DTL-38999 SERIES III AND IV

MATERIAL CODE: _____
 K=STAINLESS STEEL

PLATING CODE: _____
 C=ELECTROLESS NICKEL TO SAE-AMS-26074

BODY STYLE: _____
 00 = STRAIGHT
 45 = 45°
 90 = 90°

ORDER NUMBER _____

FERRULE QUANTITY CODE _____
 2 = TINEL CLAMPING ADAPTOR

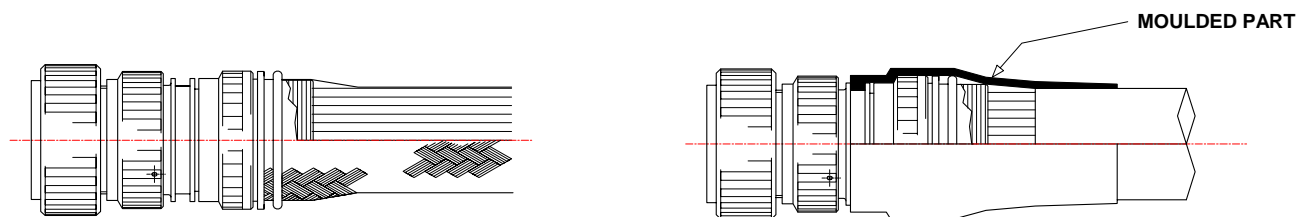
DS = DRILLED STAR - OPTIONAL - SEE NOTE 2

APPLICATION

- These adaptors are designed to be mounted on the following connectors:

MIL-DTL-38999 Series III and IV

- They are qualified to the Tyco Electronics specification RB-114, when installed on metallic Mil-Specification circular connectors only.
- They are designed for wire bundle installations having an single overall braid terminated by means of a Tinel-Lock™ ring.
- They are also designed to accept Raychem heat shrink moulded parts where strain relief and sealing is required – see illustrations.



- Use in conjunction with the ferrules HET-A-0XX, which are purchased separately. Refer to HET-A-0XX Customer Drawing for relevant selection details.
- * Refer to TR Customer Drawing for further information on Tinel-Lock™ rings.

INSTALLATION

- See Installation Procedure RPIP-696-04.

PACKAGING

- All components are supplied in a plastic bag.

© 2009 Tyco Electronics Corporation. All rights reserved

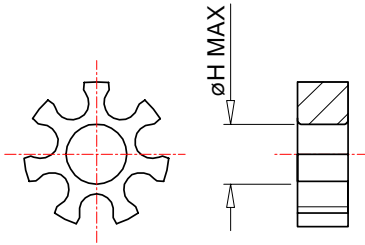
Tyco Electronics		Product Brand: Raychem Adapters 305 Constitution Drive Menlo Park, CA 94025, USA		TITLE: HEXASHIELD ADAPTOR FOR CODE 40 CONNECTORS TINEL CLAMPING NUT		
UNLESS OTHERWISE SPECIFIED DIMENSIONS ARE IN MILLIMETERS. INCH DIMENSIONS ARE SHOWN IN BRACKETS.		Tyco Electronics reserves the right to amend this drawing at any time. Users should evaluate the suitability of the product for their application.		DOCUMENT NO. HEX40-KC-YY-YY-AYY-2-YY		
DRAWN: A. BUI	DATE: 13 MAY 09	APPROVED: M. PIOZET	DATE: 13 MAY 09	CODE IDENT. NO: 06090	SCALE: NONE	SHEET: 3 OF 4

CUSTOMER DRAWING

REV: A1	ECO # 09-012043	DATE: 18 MAY 09
-------------------	--------------------	--------------------

NOTES!

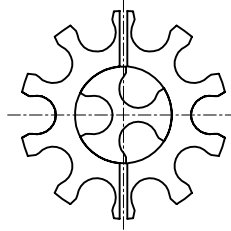
1. Item 4 - Star - is **not** supplied with Hexashield Order Number 09.
2. The DS option, illustrated below, is for a Drilled Star that is available on sizes 15 to 25 only. This option is to allow unshielded wires to pass through the assembly.



STAR SIZE	15	17	19	21	23	25
ØH MAX	3.0 [0.12"]	6.0 [0.24"]	9.0 [0.35"]	12.0 [0.47"]	15.0 [0.59"]	18.0 [0.71"]

3. Where the ferrule quantities required are standard, the item 4 - Star - is also standard.
If the optional quantity is selected then 2 items 4 will be supplied - one "split" and the other one standard*,
See below for illustration.

EXAMPLE: FERRULE QUANTITY CODE -A13
-A13 = -A10 SPLIT STAR + -A3 STANDARD STAR



* On Order Number 19 only, the Optional Ferrule quantity of 8 uses a "standard" star also.

4. Assembly is to be permanently marked with Code Identity Number and Part Number.
(e.g. 06090 HEX40-KC-00-21-A9-2)

© 2009 Tyco Electronics Corporation. All rights reserved

		Product Brand: Raychem Adapters 305 Constitution Drive Menlo Park, CA 94025, USA		TITLE: HEXASHIELD ADAPTOR FOR CODE 40 CONNECTORS TINEL CLAMPING NUT		
UNLESS OTHERWISE SPECIFIED DIMENSIONS ARE IN MILLIMETERS. INCH DIMENSIONS ARE SHOWN IN BRACKETS.		Tyco Electronics reserves the right to amend this drawing at any time. Users should evaluate the suitability of the product for their application.		DOCUMENT NO. HEX40-KC-YY-YY-AYY-2-YY		
DRAWN: A. BUI	DATE: 13 MAY 09	APPROVED: M. PIOZET	DATE: 13 MAY 09	CODE IDENT. NO: 06090	SCALE: NONE	SHEET: 4 OF 4